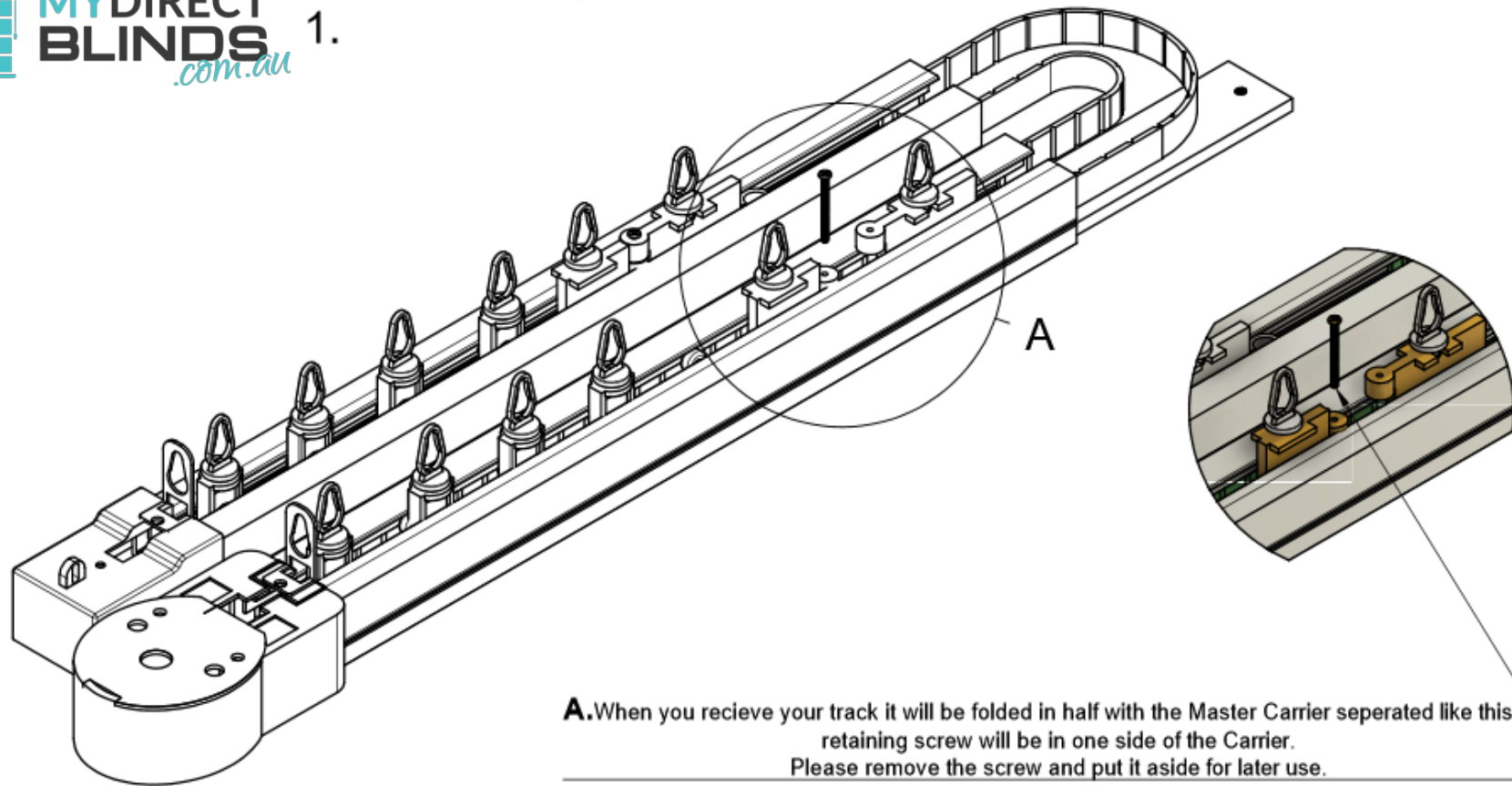




**MYDIRECT  
BLINDS**  
*.com.au*

## S-Fold Joining Instructions

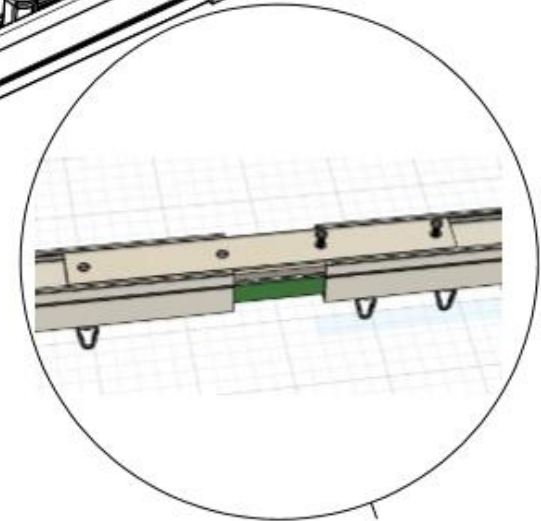
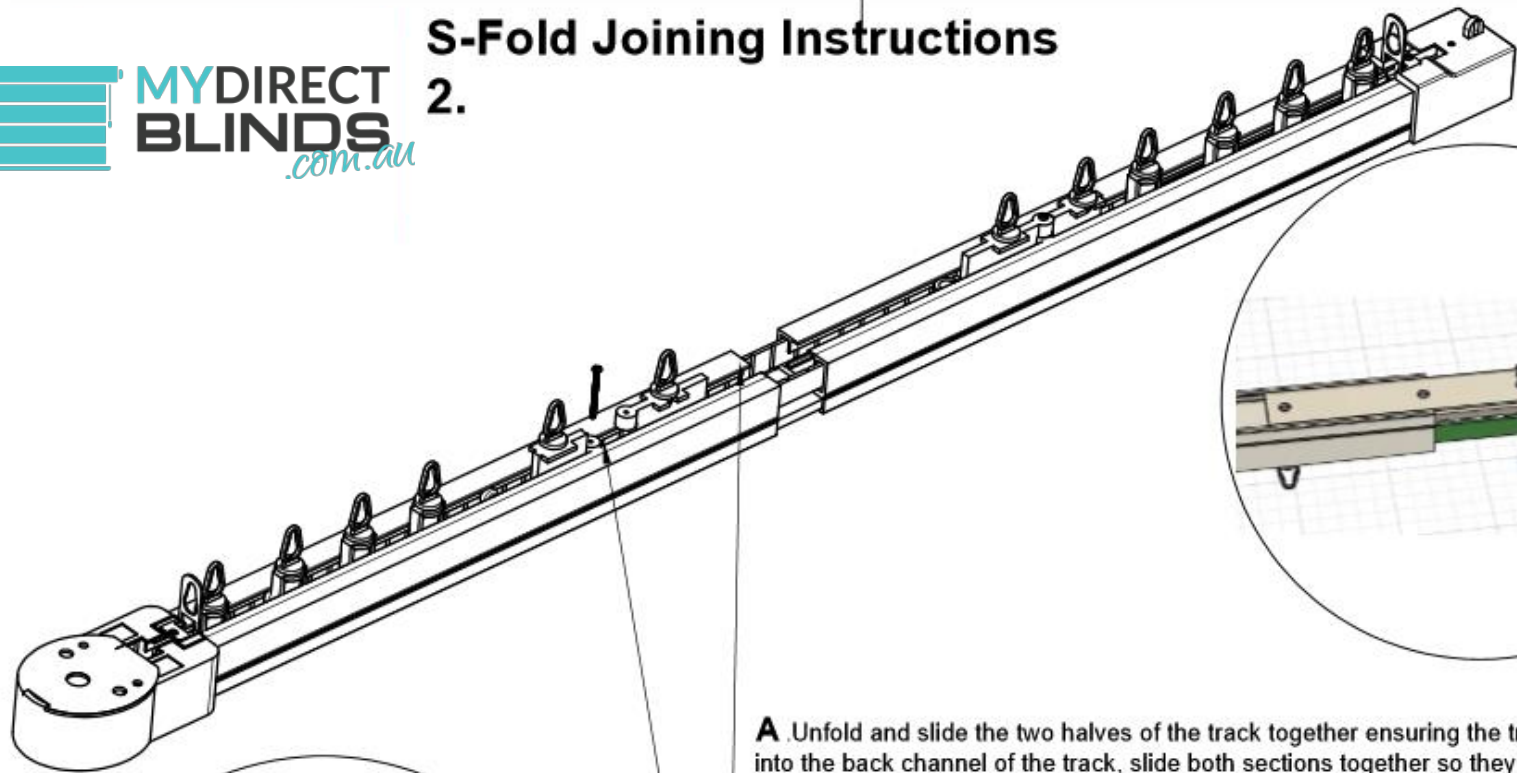
1.



**A.**When you receive your track it will be folded in half with the Master Carrier separated like this, the retaining screw will be in one side of the Carrier.  
Please remove the screw and put it aside for later use.

## S-Fold Joining Instructions

2.

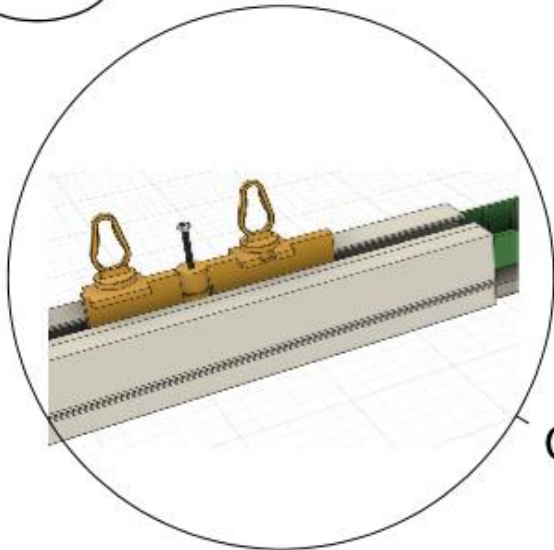


B

**A.** Unfold and slide the two halves of the track together ensuring the track joiner is seated correctly into the back channel of the track, slide both sections together so they are butting up to each other making sure the belt is not pinched between the two sections of track.

**B.** Tighten the screws in the track joiner until they are firm.

Do Not Over Tighten!



C

**C.** Flip the track back over, now pull the two halves of the master carrier together and align the screw hole in the two halves. Replace the joining screw and tighten until firm.

The track is now ready to be used.